

# GC67 Digital Pressure Gauge Installation Instructions

## Caution

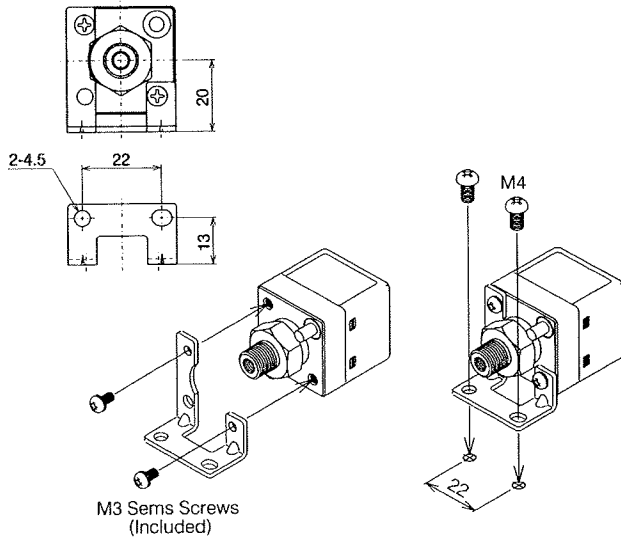
Nagano Keiki does not take responsibility for damage or physical injury caused by the following :

- Repairs or alterations by other companies
- Use of products from other companies that cause damage
- Use of non authorised parts for maintenance causing damage
- Non compliance with the precautions in these instructions or improper use service conditions
- Fire, earthquake, water damage or other natural disaster

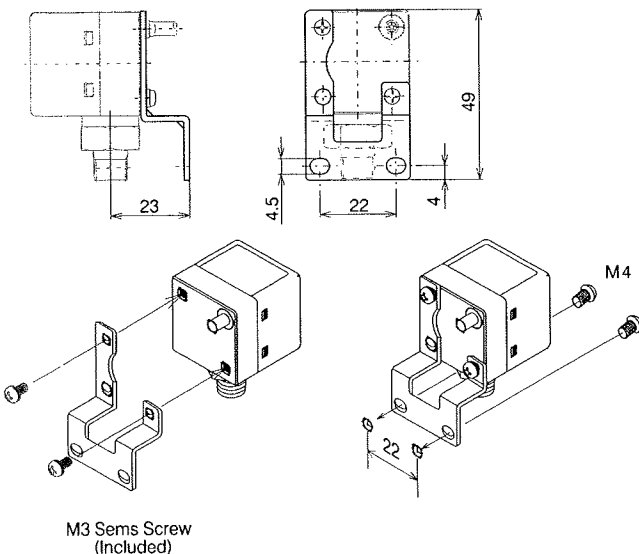
## Installation

When attaching the L-shaped or key shaped bracket to the main unit, use the M3 Sems screws provided and tighten with a torque up to 0.3 N-m.

### <L-shaped bracket>

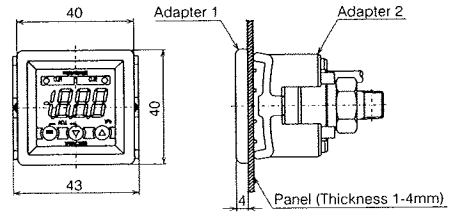


### <Key-shaped bracket>

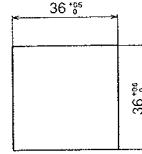


### <Panel Adapter>

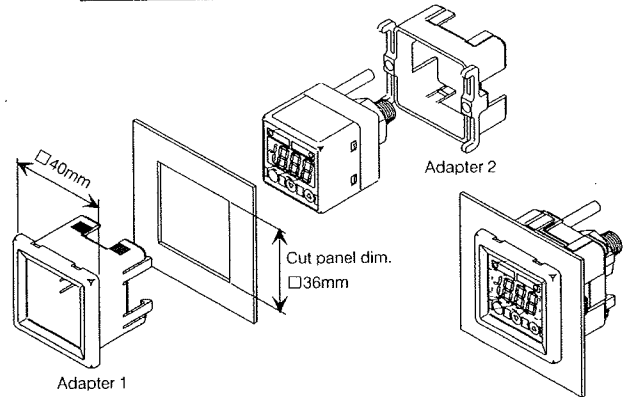
The panel adapter must be installed horizontally level.



Cut panel dimensions



(Note : When installing in a series, separate the openings in the panel by a minimum of 8 mm on all sides.)



As shown in the diagram above, Adapter 2 is inserted from the rear of the main unit. Adapter 1 is inserted into the hole in the panel from the front side and the main unit is fastened from the rear of the hole in the panel. Fasten Adapter 2 to Adapter 1 so that there is a minimum of space between the adapters and the panel.

## Parts Material

L-shaped bracket :	SPCC
Key-shaped bracket :	SPCC
Adapter 1 :	PC/ABS
Adapter 2 :	PC

## Storage



### Caution

- Do not store in the following places as damage can result.
- Any place that water can reach.
  - Any place where there can be a negative influence of atmosphere, temperature, humidity, poor ventilation, sunlight, dust, salty or sulphuric air.
  - Any places where there is vibration or shock (including during transportation) .
  - Any place where chemicals are stored or where there are releases of gas.
  - In direct sunlight or inside a hot vehicle.

## Maintenance

This panel adapter is made from plastic, refrain from touching with a soldering iron etc. As chemicals can damage the case, take proper precautions to ensure that none come in contact with it.

The contents of these instructions are subject to change without notice. In the event of a problem please contact the closest Nagano Keiki sales office. For a complete list of Nagano Keiki offices please refer to the instruction manual accompanying this product.

## NAGANO KEIKI CO., LTD.

HEAD OFFICE & OVERSEAS SALES DEPT  
: 1-30-4, HIGASHIMAGOME, OHTA-KU, TOKYO, JAPAN.  
TELEPHONE : 03 (3776) 5328  
FAX : 03 (3776) 5447  
e-mail : overseas\_sales\_dept@naganokeiki.co.jp  
URL : <http://www.naganokeiki.co.jp/>